

P.O. Box 8
Duchesne, UT 84021
Phone 435 738-2453
Fax 435 738-2620
www.uintahmachine.com
e-mail info@uintahmachine.com

Uintah Machine Water Trailers

Uintah Machine manufactures water trailers for hauling a large volume of water into the mines. Water wagons are equipped with a pump and two adjustable spray heads for settling dust. We also build them with pneumatic brakes. So far, all our water wagons have been built with 5th wheel hitches. We have designed and built several styles of water wagons and can build one to suit your purposes as well.

We take pride in our work. You can count on receiving the toughest,

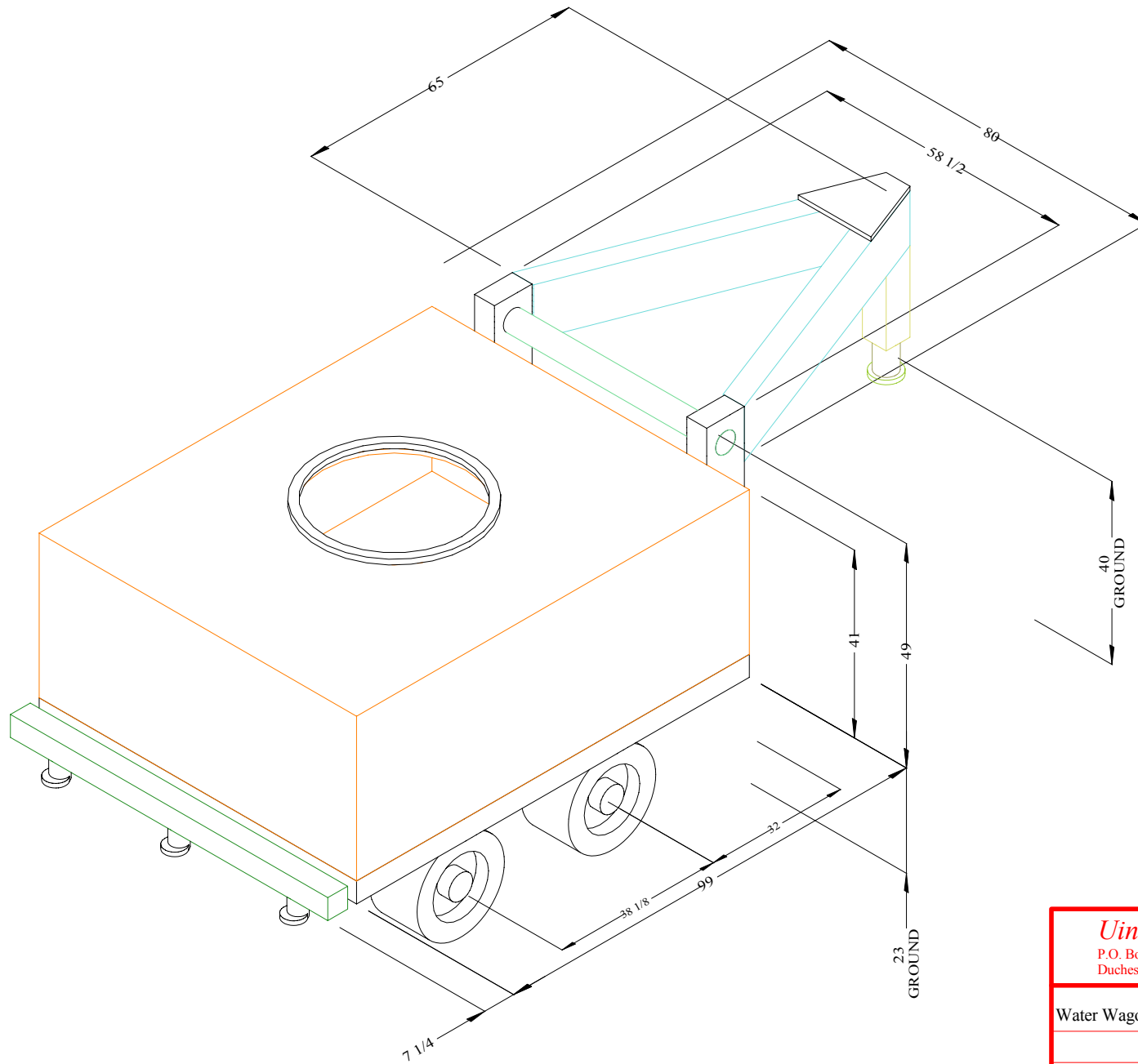
highest-quality, lowest-maintenance, water wagon around. Our customers have always been happy with our quality.

Uintah is happy to design and build a water trailer to meet your specific needs. Contact us for a free quotation.

Our expertise is not limited to trailers alone. Visit our Web site at www.uintahmachine.com for more information about our mining equipment and services.

Click on blue links to view drawings and photos

- 5th wheel water wagon for use with a Model 254 utility truck [WATRWAG2.TCW](#)
- 2600 gallon 5th wheel water wagon [20254-01.TCW](#)
[PHOTO 1](#)
[PHOTO 2](#)



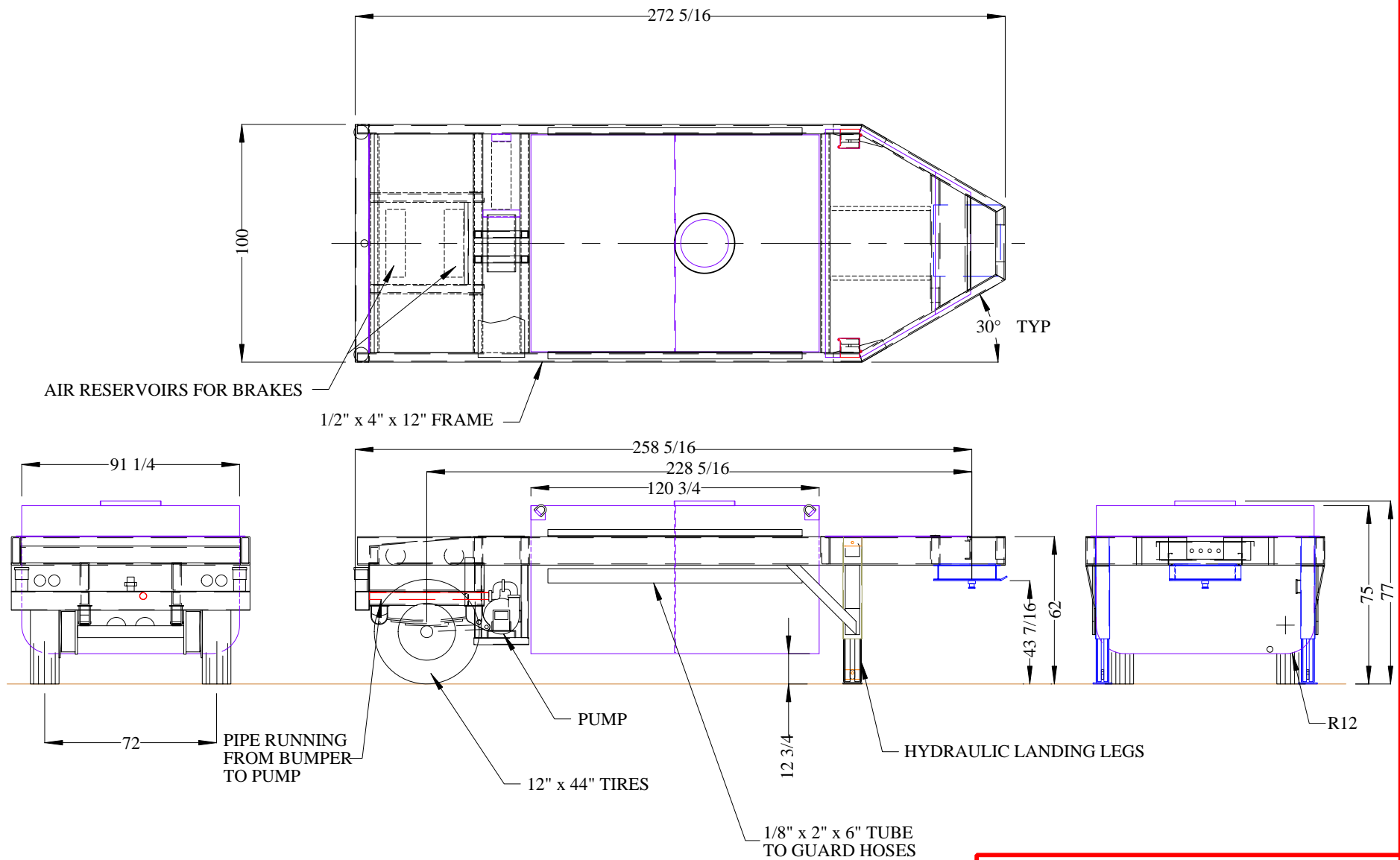
Uintah Machine & Mfg. Co.

P.O. Box 8
Duchesne, UT. 84021

Phone 801 738-2453
Fax 801 738-2506

Water Wagon for use with Model 254 Utility Truck.

DATE: Computerized 01/09/01	DRWN BY: Jake Hamilton	SCALE: NTS
PATH, FILE NAME, OR DRAWING NUMBER		WATRWAG2.TCW



Uintah Machine & Mfg. Co.

P.O. Box 8
Duchesne, UT 84021

Phone 435 738-2453
Fax 435 738-2506

GENERAL ARRANGEMENT FOR BHP'S

WATER WAGON

DATE: 07/04/02 DRWN BY: Jake Hamilton SCALE: 1: 60

PATH, FILE NAME, OR DRAWING NUMBER: 20254-01.TCW

BEG20250\20254DIR\20254-01.TCW



General arrangement of water wagon # 20254

WATER WAGONS



Rear of water wagon showing spray heads

WATER WAGONS