

P.O. Box 8
Duchesne, UT 84021
Phone 435 738-2453
Fax 435 738-2620
www.uintahmachine.com
e-mail info@uintahmachine.com

Uintah Machine Underground Cranes

Uintah Machine designs and manufactures cranes for use inside mines. These cranes can be built integral with a tractor, as a detachable module, or on the bed of a pickup. They can be manufactured with no electrical components to avoid fire hazards. We have also manufactured radio-controlled cranes. Our largest crane to date can lift over 20,000 lb. at full extension -- over 15 ft behind the trailer. Roof jack hydraulic cylinder stabilizers are optional.

We take pride in our work. You can count on receiving an exceptionally

tough, high-quality, low-maintenance, underground crane. Our customers have always been happy with our quality.

Uintah is happy to design and build an underground crane to meet your specific needs. Contact us for a free quotation.

Our expertise is not limited to cranes alone. Visit our Web site at www.uintahmachine.com for more information about our mining equipment and services.

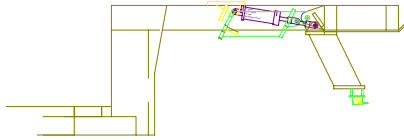
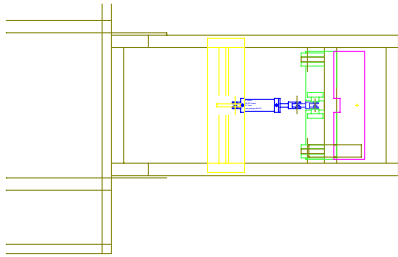
Click on blue links to view drawings and photos

Underground crane truck	CONCEPT 1
Crane module mounted on a 460-UT utility truck	17713-01 PHOTO 1 PHOTO 2
Underground Crane mounted on a Wagner Teletram	19868-01 PHOTO 1 PHOTO 2
Pan Line Roof Bolter Crane	PHOTO

[CONTENTS](#)

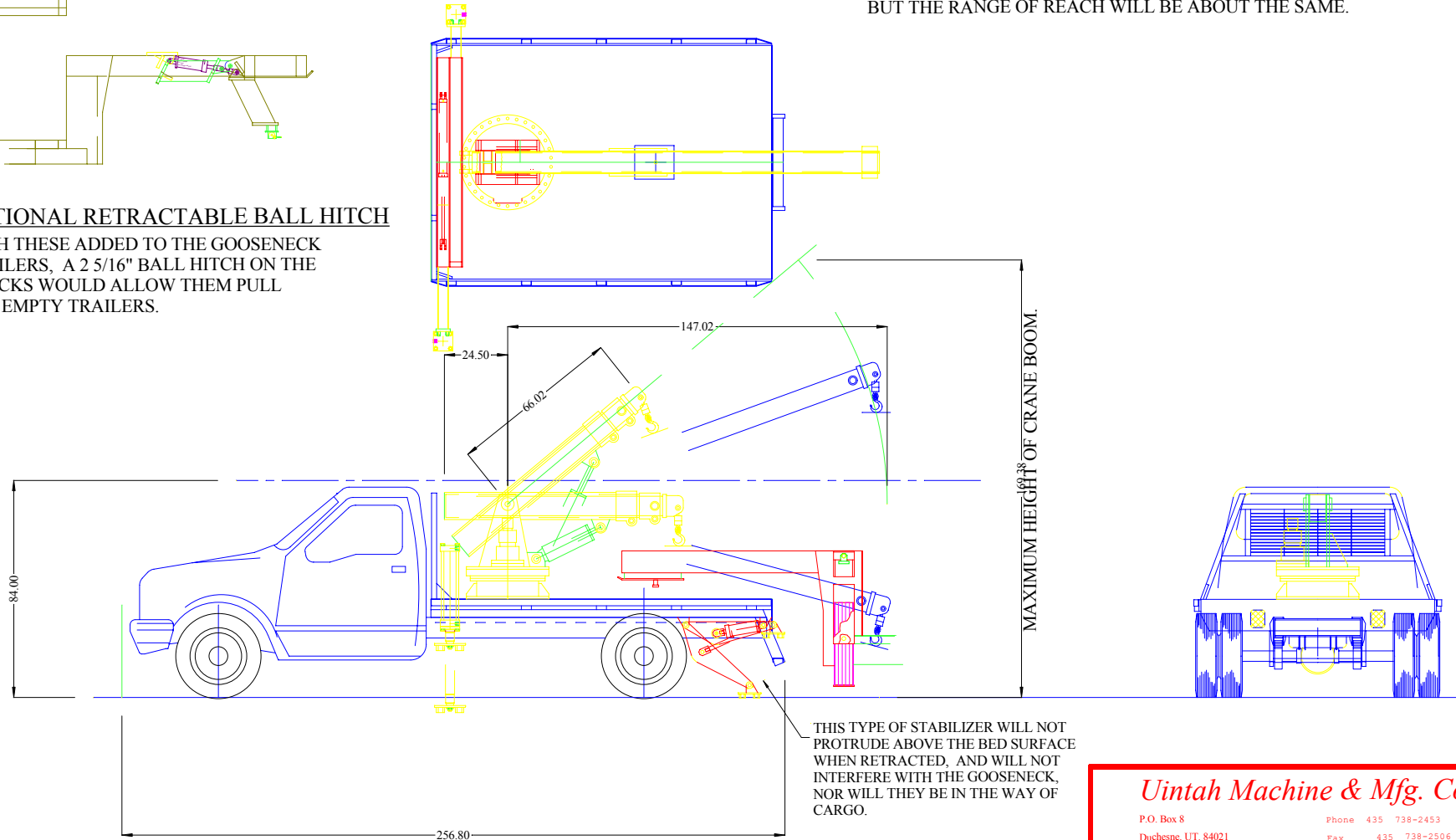
NOTES ABOUT THE CRANE:

OUR PREFERRED CRANE IS THE DUNBAR DB-20
 THEY APPEAR TO BE UNAVAILABLE FROM GETMAN
 WE HAVE NOT YET FOUND A SUITABLE SUBSTITUTE.
 WE HAVE PUT INTO THIS DRAWING A CRANE WE DESIGNED PREVIOUSLY
 WHAT WE WANTED TO FIND WAS A 30,000 FT. POUND CRANE.
 THE ONE WE PUT ON THIS DRAWING IS A 250,000 FT. POUND CRANE
 IF WE ARE CONSTRAINED TO BUILD THE CRANE, IT WILL BE
 MUCH MORE COMPACT THAN THE ONE SHOWN.
 BUT THE RANGE OF REACH WILL BE ABOUT THE SAME.



OPTIONAL RETRACTABLE BALL HITCH

WITH THESE ADDED TO THE GOOSENECK TRAILERS, A 2 5/16" BALL HITCH ON THE TRUCKS WOULD ALLOW THEM PULL THE EMPTY TRAILERS.



This drawing is the property of Uintah Machine and Mfg. Co. Information included in this drawing is proprietary and is not to be reproduced, distributed or disclosed except as specifically authorized in writing by Uintah Machine and Mfg. Co.

CAB & CHASSIS WEIGHT: 6650#
 WEIGHT OF COMPLETE UNIT: 11,500#
 GROSS VEHICLE WEIGHT: 17,500#

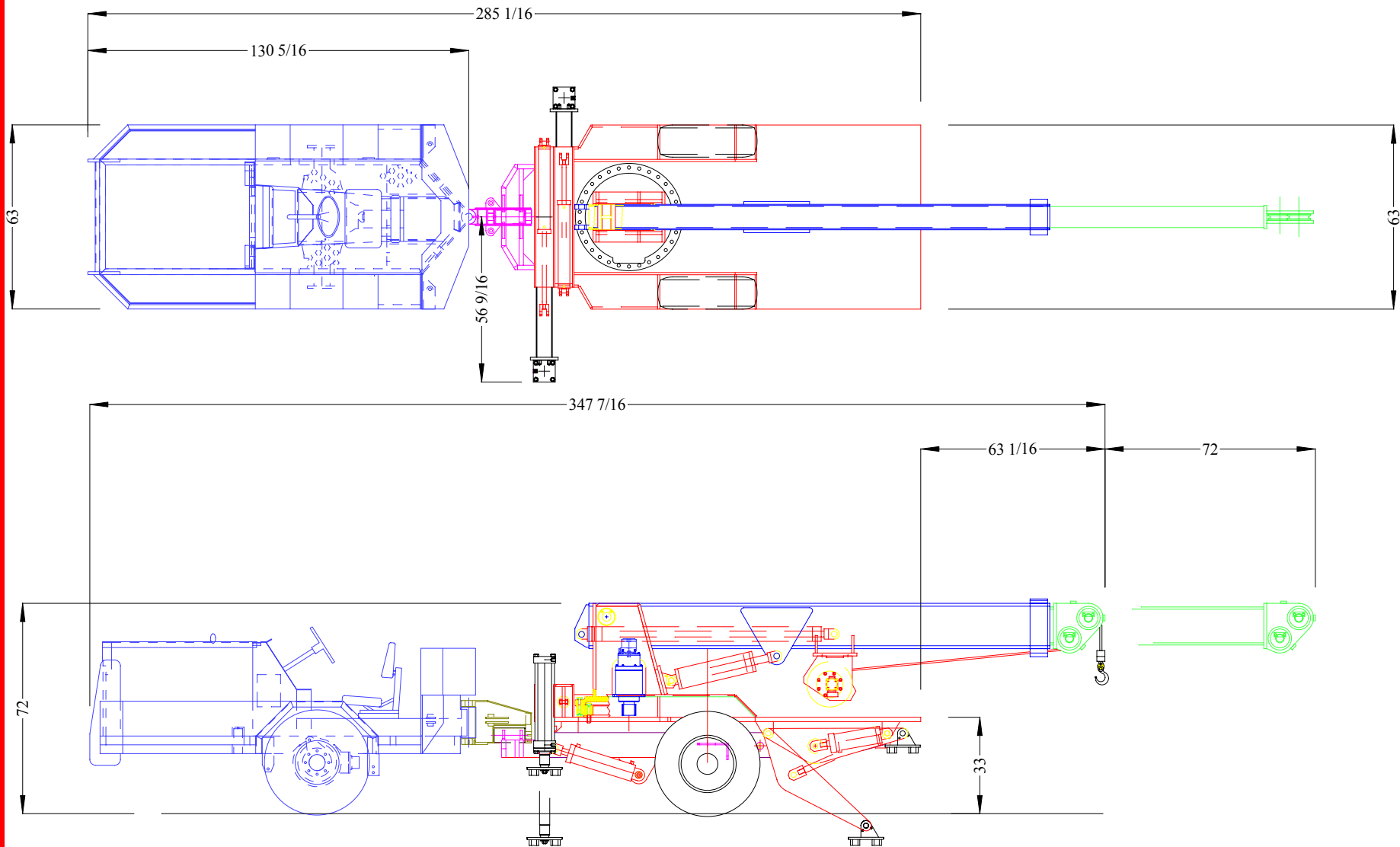
QUOTES:BEG00JUL8435DIR\TRUCKS\CRANTRUC\CONCEPT1.TCW

Uintah Machine & Mfg. Co.
 P.O. Box 8 Phone 435 738-2453
 Duchesne, UT, 84021 Fax 435 738-2506

GENERAL ARRANGMENT FOR UNDERGROUND
 CRANE TRUCK FOR SAN JUAN COAL

DATE: 09/28/2000 DRWN BY: Bryce Hamilton SCALE: 64 : 1

PATH, FILE NAME, OR DRAWING NUMBER CONCEPT1.TCW



BEG17500\17713DIR\17713-01.TCW

Uintah Machine & Mfg. Co.
 P.O. Box 8 Phone 801 738-2453
 Duchesne, UT, 84021 Fax 801 738-2506

CRANE MODULE MOUNTED ON 460-UT

UTILITY TRUCK - GENERAL ARRANGEMENT

DATE: 9/23/99	DRAWN BY: Bryce Hamilton	SCALE: 50:1
PATH, FILE NAME, OR DRAWING NUMBER		17713-01.TCW



CRANE MODULE DESIGNED & BUILT BY UINTAH MACHINE

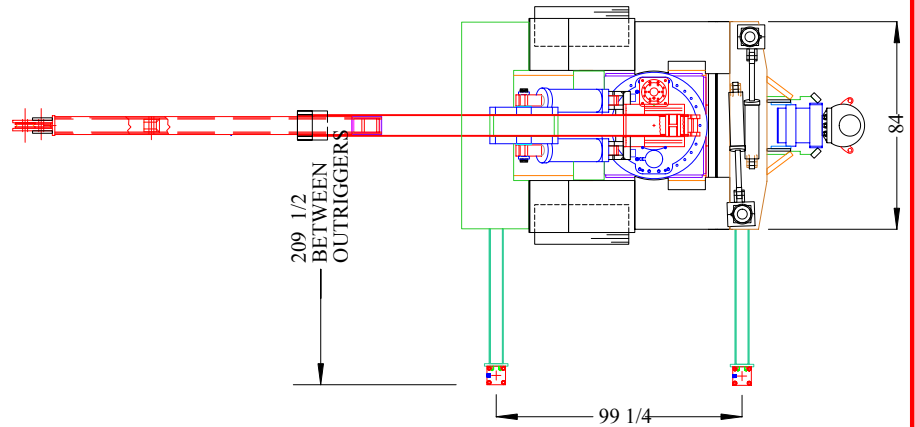
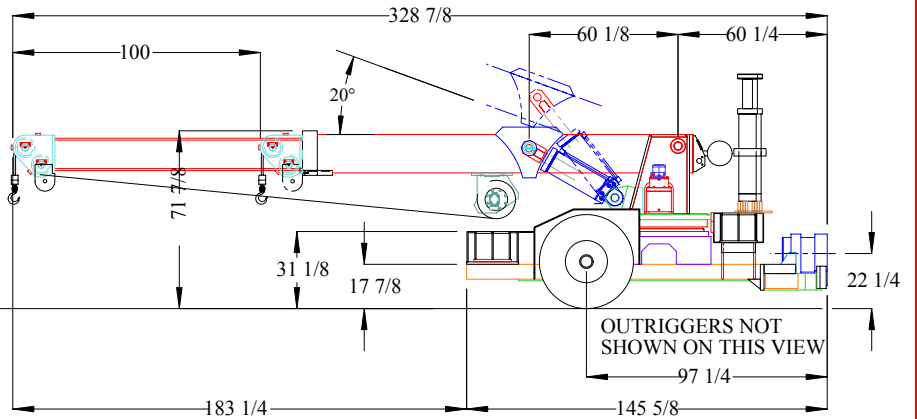
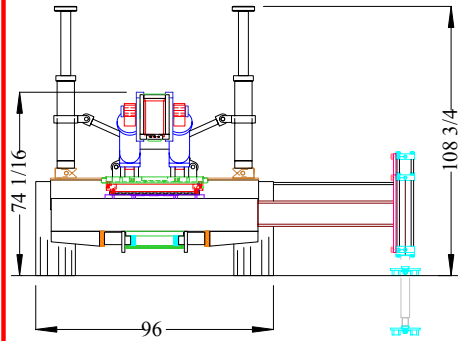
CONTENTS
CRANES



CRANE MODULE DESIGNED AND BUILT BY UINTAH MACHINE

CONTENTS
CRANES

SHOWN WITHOUT BOOM END



Uintah Machine & Mfg. Co.
P.O. Box 8 Phone 435 738-2453
Duchesne, UT. 84021 Fax 435 738-2506

GENERAL ARRANGEMENT FOR
SUFCO'S CRANE

DATE: 04/02 DRWN BY: Jake Hamilton SCALE: 1: 60

PATH, FILE NAME, OR
DRAWING NUMBER 19868-01.TCW

WORECORD\BEG19750\19868DIR\19868-01.TCW



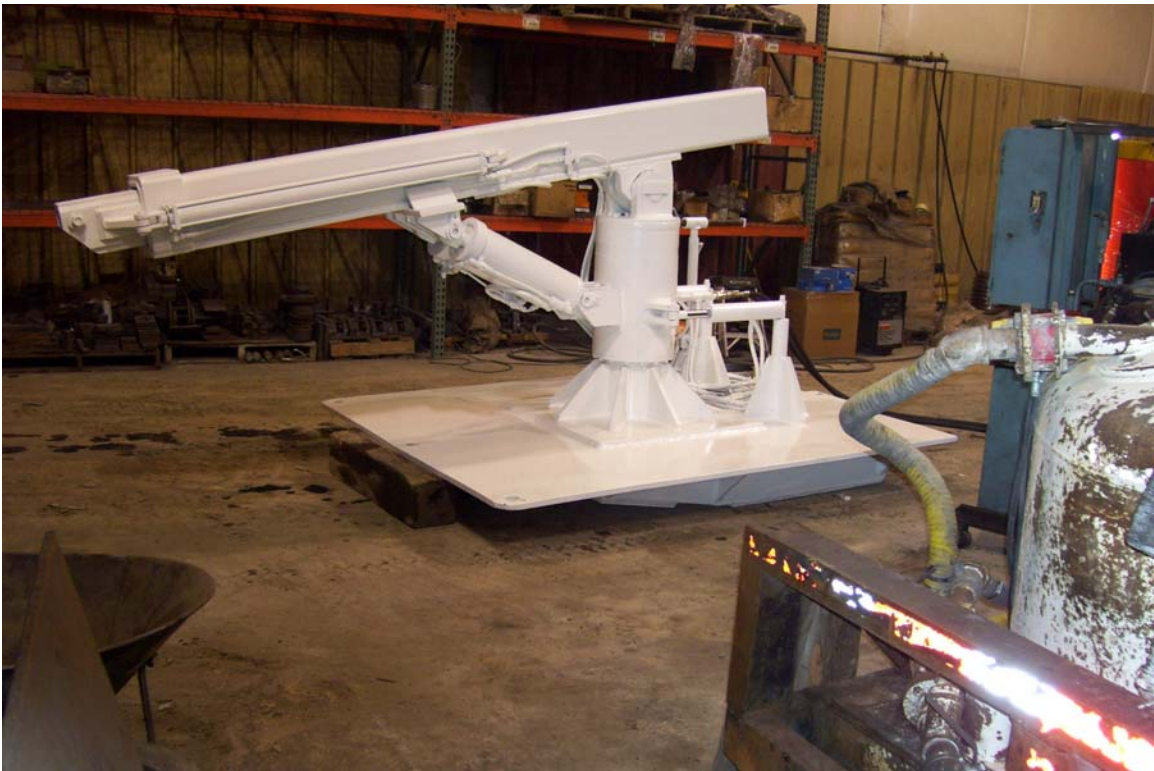
UNDERGROUND CRANE DESIGNED AND BUILT BY UINTAH MACHINE

CONTENTS
CRANES



UNDERGROUND CRANE DESIGNED AND BUILT BY UINTAH MACHINE

CONTENTS
CRANES



Cookie Sheet Mounted Pan Line Roof Bolter Crane
to be carried on forks

[Contents](#)
[Cranes](#)