

P.O. Box 8
 Duchesne, UT 84021
 Phone 435 738-2453
 Fax 435 738-2620
 www.uintahmachine.com
 e-mail info@uintahmachine.com

Uintah Machine Concrete Trailers

Uintah Machine manufactures low-profile concrete trailers of a variety of shapes and capacities. We have built them integral with tractors, and with pintle or gooseneck hitches. Some have hydraulically tilting drum decks. The drum is turned by a hydraulic motor in the front and supported by rollers on the top and bottom in the rear. Landing legs can be hydraulic or manual. On some smaller trailers with four wheels, landing legs are unnecessary. We also build them with optional cement chutes.

We take pride in our work. You

can count on receiving the toughest, highest-quality, lowest-maintenance, concrete trailer around. Our customers have always been happy with our quality.

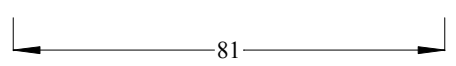
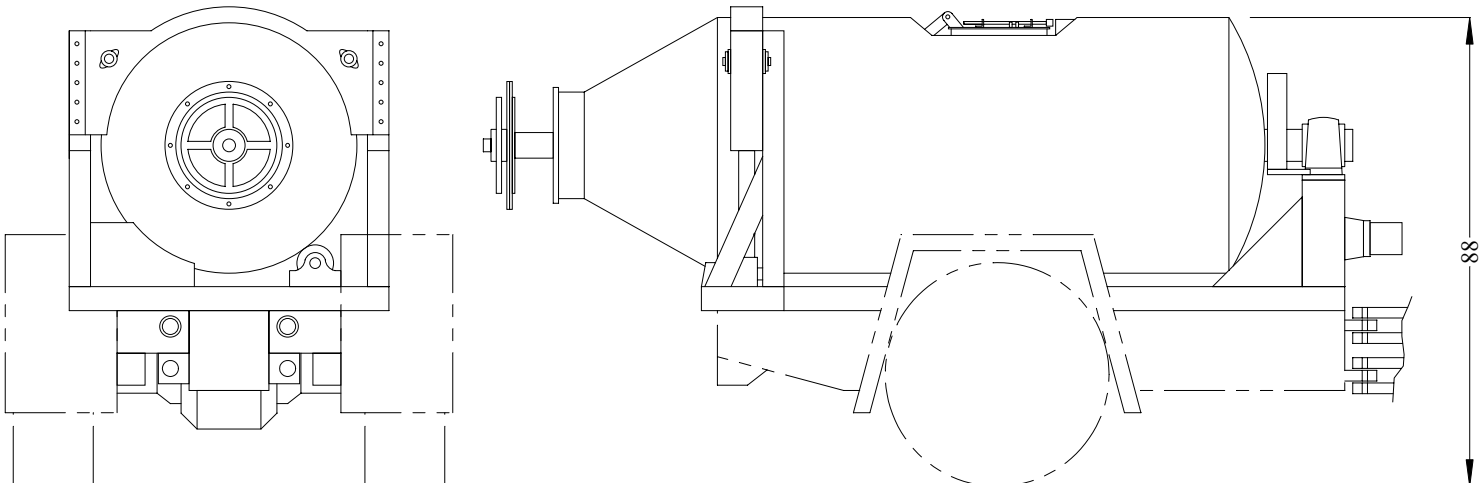
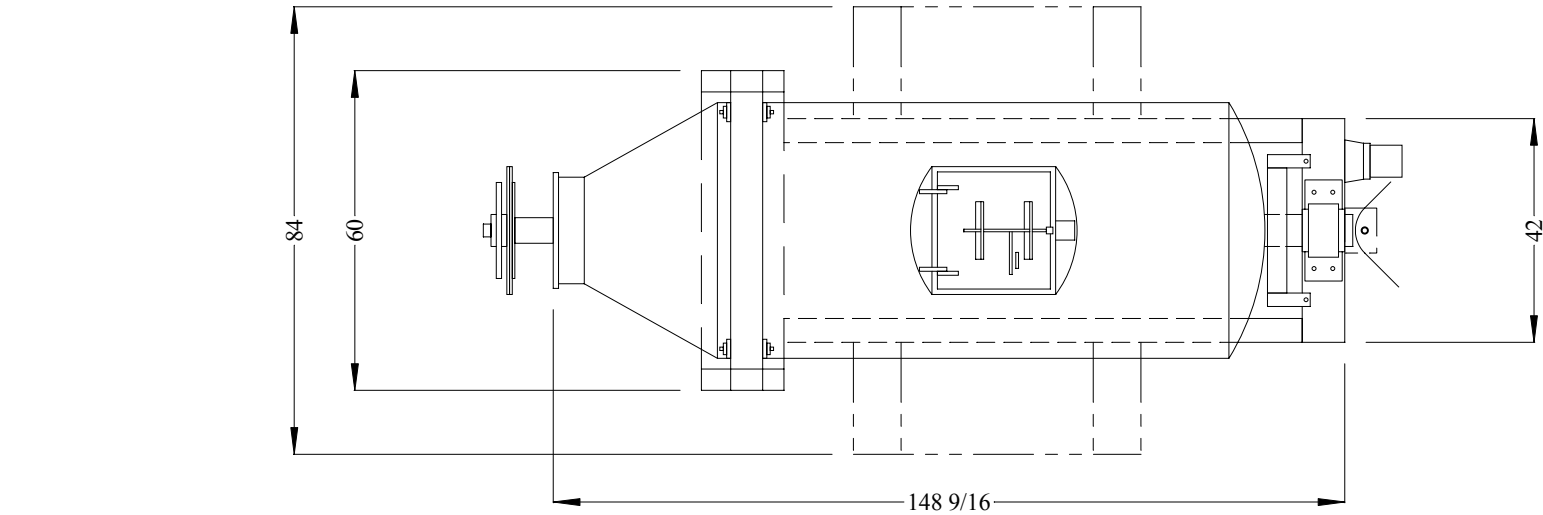
Uintah is happy to design and build a concrete trailer to meet your specific needs. Contact us for a free quotation.

Our expertise is not limited to trailers alone. Visit our Web site at www.uintahmachine.com for more information about our mining equipment and services.

Click on blue links to view drawings

- 3½ yd concrete trailer shown on a Getman flatbed truck [3HLFYARD.TCW](#)
- 4½ yd concrete trailer with pintle hitch [4HLFYARD.TCW](#)
- 5 yd, 5th wheel concrete trailer [CNCPT5YD.TCW](#)
- 6¼ yd, 5th wheel concrete trailer [11055-01.TCW](#)
- 6¼ yd 5th wheel concrete trailer with chutes [14433_PL.TCW](#)



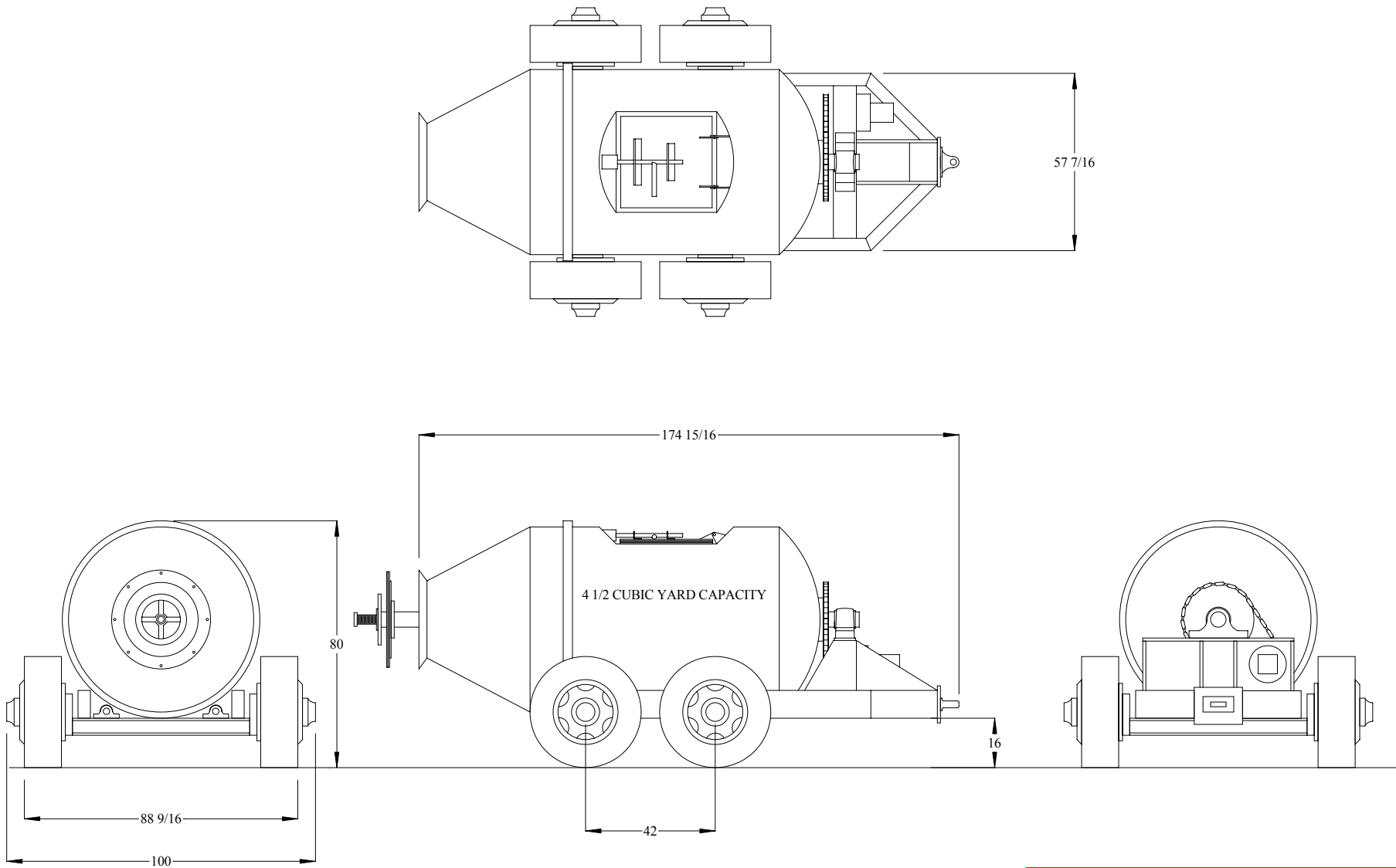


Uintah Machine & Mfg. Co.
 P.O. Box 8 Phone 435 738-2453
 Duchesne, UT. 84021 Fax 435 738-2506

HORIZONTAL DRUM MIXER 3 1/2 YD CAP.
 SHOWN ON GETMAN FLAT BED TRUCK.

DATE:	DRWN BY: Jake Hamilton	SCALE: 1: 36
PATH, FILE NAME, OR DRAWING NUMBER		3HLFYARD.TCW

COMPUTERIZED
 12/12/00 BY JBH.

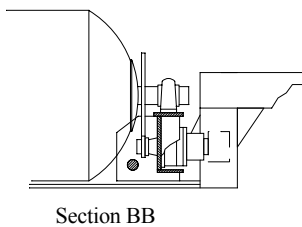
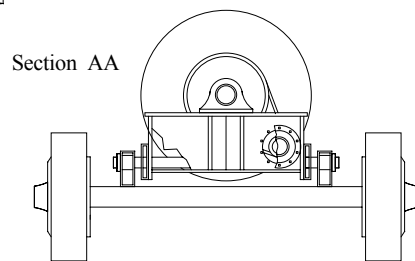
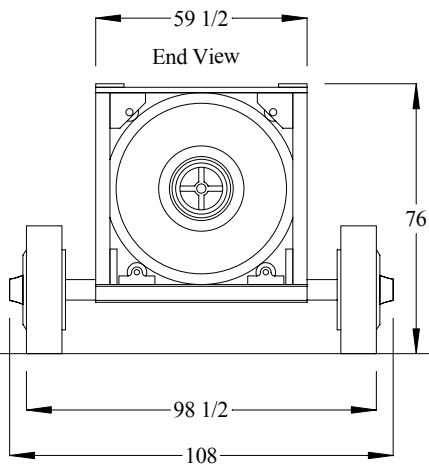
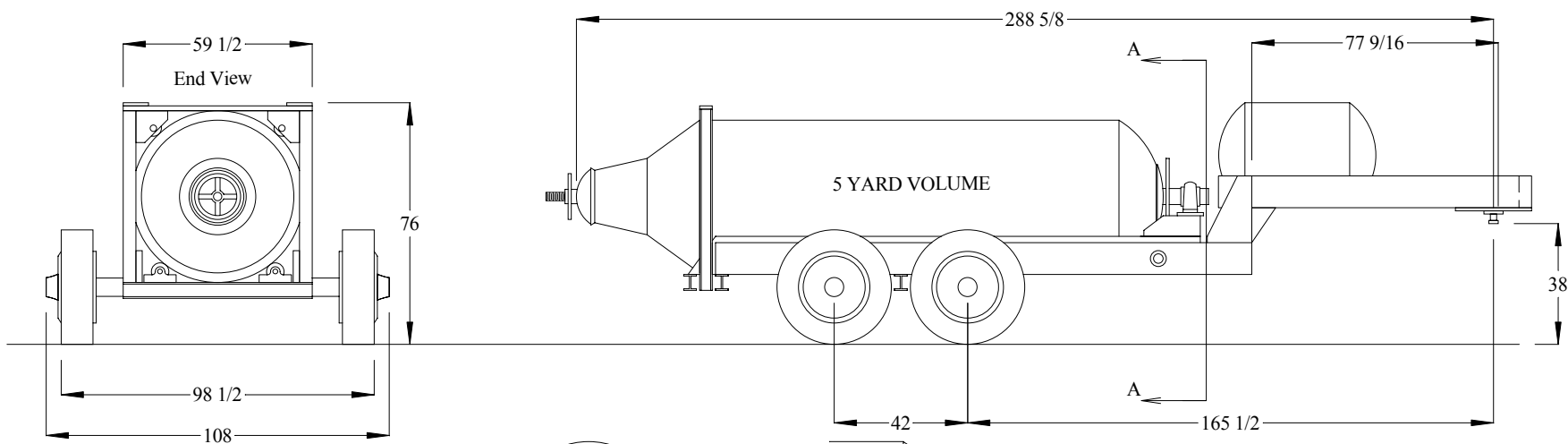
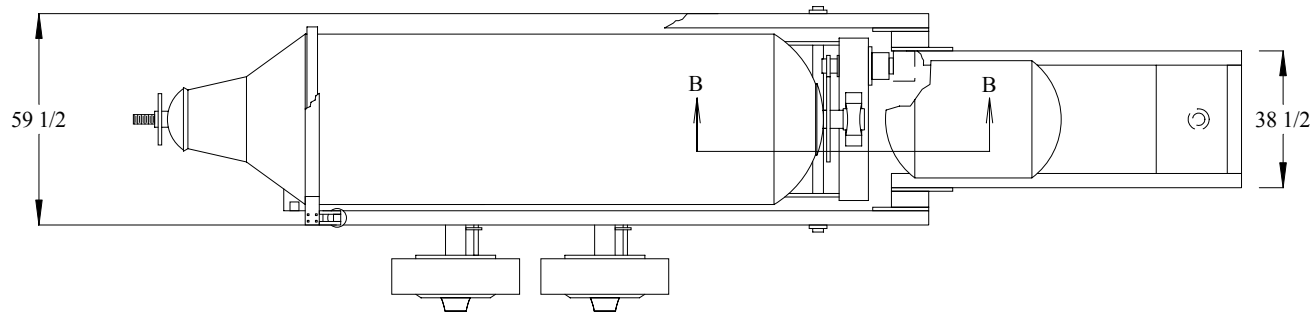


Uintah Machine & Mfg. Co.
 P.O. Box 8 Phone 435 738-2453
 Duchesne, UT. 84021 Fax 435 738-2506

4 1/2 YARD CONCRETE TRAILER WITH PINTLE HITCH.

DATE:	DRWN BY: Jake Hamilton	SCALE: 1: 36
PATH, FILE NAME, OR DRAWING NUMBER		4HLFYARD.TCW

COMPUTERIZED
12/05/00 BY JBH



Uintah Machine & Mfg. Co.

P.O. Box 8
Duchesne, UT. 84021

Phone 435 738-2453
Fax 435 738-2506

5 CUBIC YARD CONCRETE TRAILER

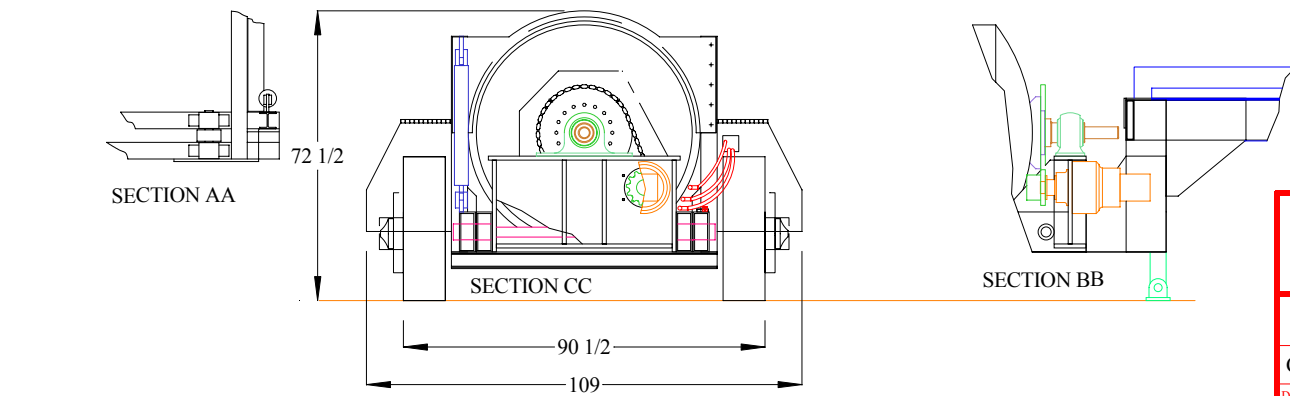
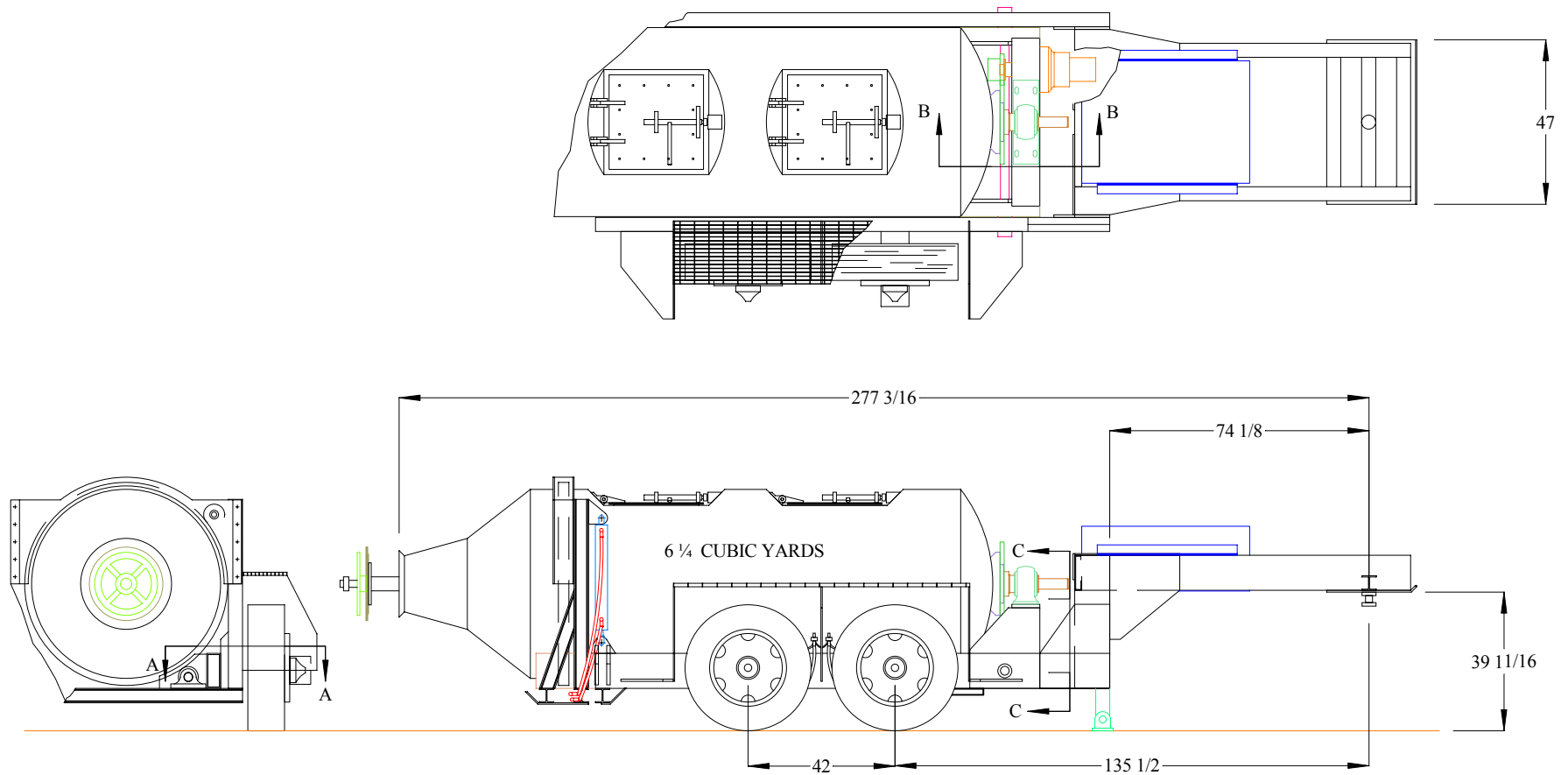
CONCEPT DRAWING.

DATE: _____ DRAWN BY: **Jake Hamilton** SCALE: **1: 54**

PATH, FILE NAME, OR DRAWING NUMBER: **CNCPT5YD.TCW**

COMPUTERIZED
12/09/00 BY JBH

CONCRETE



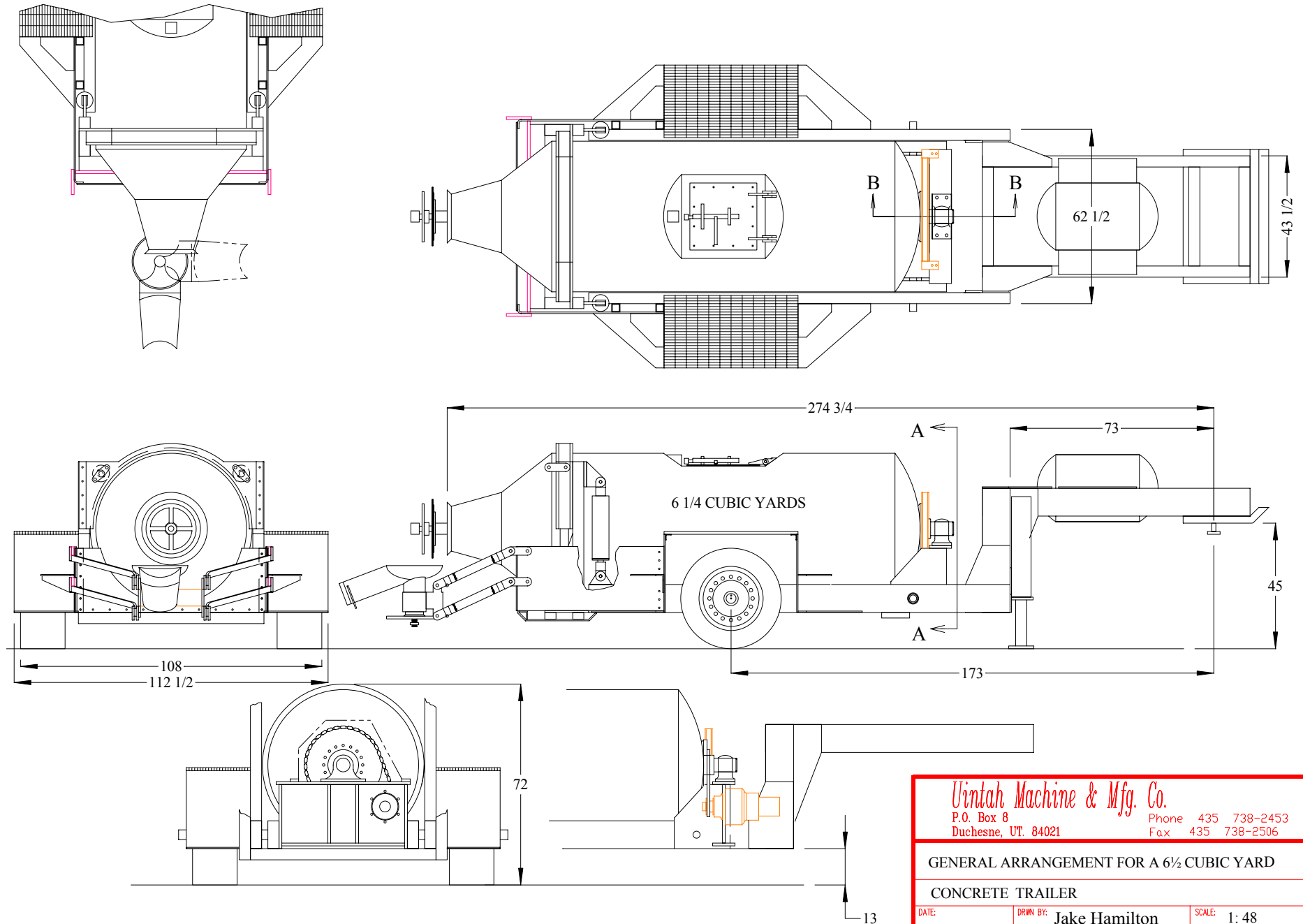
Uintah Machine & Mfg. Co.
 P.O. Box 8 Phone 435 738-2453
 Duchesne, UT. 84021 Fax 435 738-2506

GENERAL ARRANGEMENT OF 6 1/4 CUBIC YARD
 CONCRETE TRAILER. (ORIGINAL WO # 11055)

DATE	DRWN BY: Jake Hamilton	SCALE: 1: 48
PATH, FILE NAME, OR DRAWING NUMBER	11055-01.TCW	

ORIGINALLY DRAWN 04/22/90 BY
 BH. REVISED BY GA. CAD VERSION
 COMPLETED 07/02/01 BY JBH.

BIGSCANS/CONC_TRL\11055DIR\1105501.TIF



Uintah Machine & Mfg. Co.
P.O. Box 8 Phone 435 738-2453
Duchesne, UT. 84021 Fax 435 738-2506

**GENERAL ARRANGEMENT FOR A $6 \frac{1}{2}$ CUBIC YARD
CONCRETE TRAILER**

DATE:	DRWN BY: Jake Hamilton	SCALE: 1: 48
PATH, FILE NAME, OR DRAWING NUMBER		14433_PL.TCW